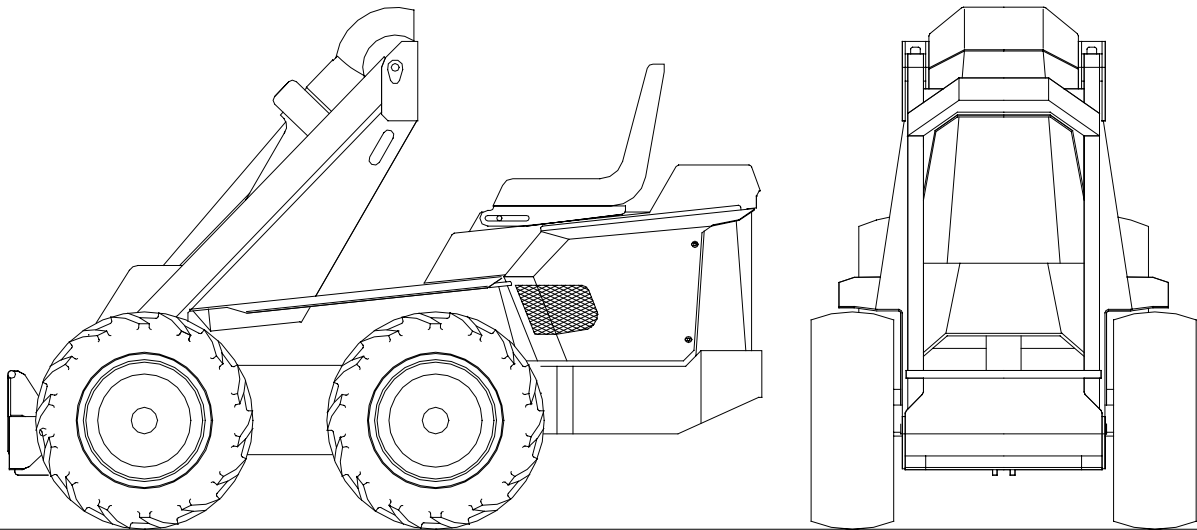


AVANT 320S, 320S+

Parts list

STARTING FROM SERIAL NUMBER: 42727

A21061 AVANT 320S
A21062 AVANT 320S+



Manufacturer:

AVANT

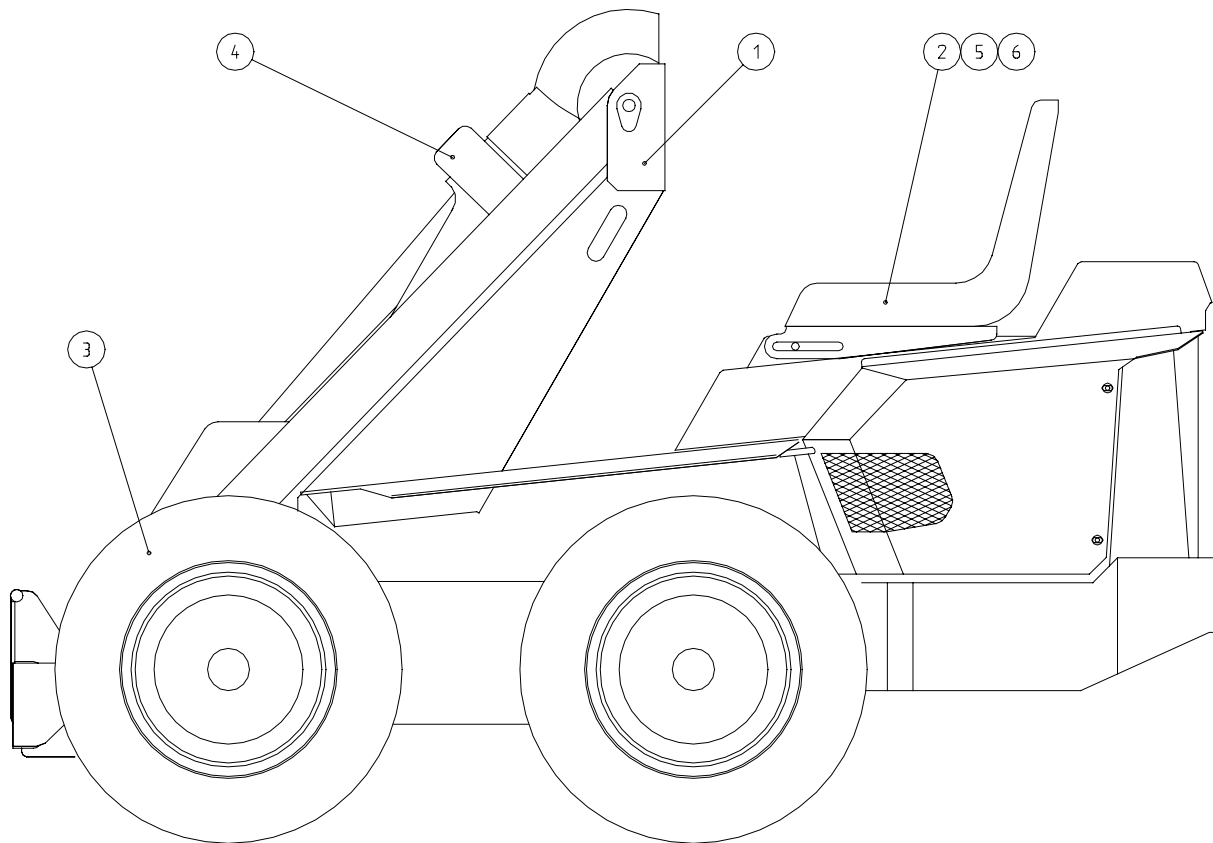
AVANT TECNO OY
YLÖTIE 1
FIN-33470 YLÖJÄRVI
FINLAND
tel. +358 3 347 8800
fax +358 3 348 5511
web www.avanttecono.com

TABLE OF CONTENTS

AVANT 320S, 320S+ ASSEMBLY	A21054	3
FRAME, ASSEMBLY, 320S, 320S+	A21055	4,5
ENGINE, ASSEMBLY 320S, 320S+	A2712	6,7
LOADER BOOM, STD., ASSEMBLY	A32328	8
TELESCOPIC BOOM, ASSEMBLY	A21053	9,10
HYDRAULIC MOTOR OMSW 315 / 320S	A43974	10
HYDRAULIC MOTOR OMT 315 / 320S+	A45166	11
HYDRAULIC SYSTEM, ASSEMBLY 320S	A2762	12,13
HYDRAULIC SYSTEM, ASSEMBLY 320S+	A2749	14-16
FOOT THROTTLE	A42530	17

AVANT 320S, 320S+ ASSEMBLY

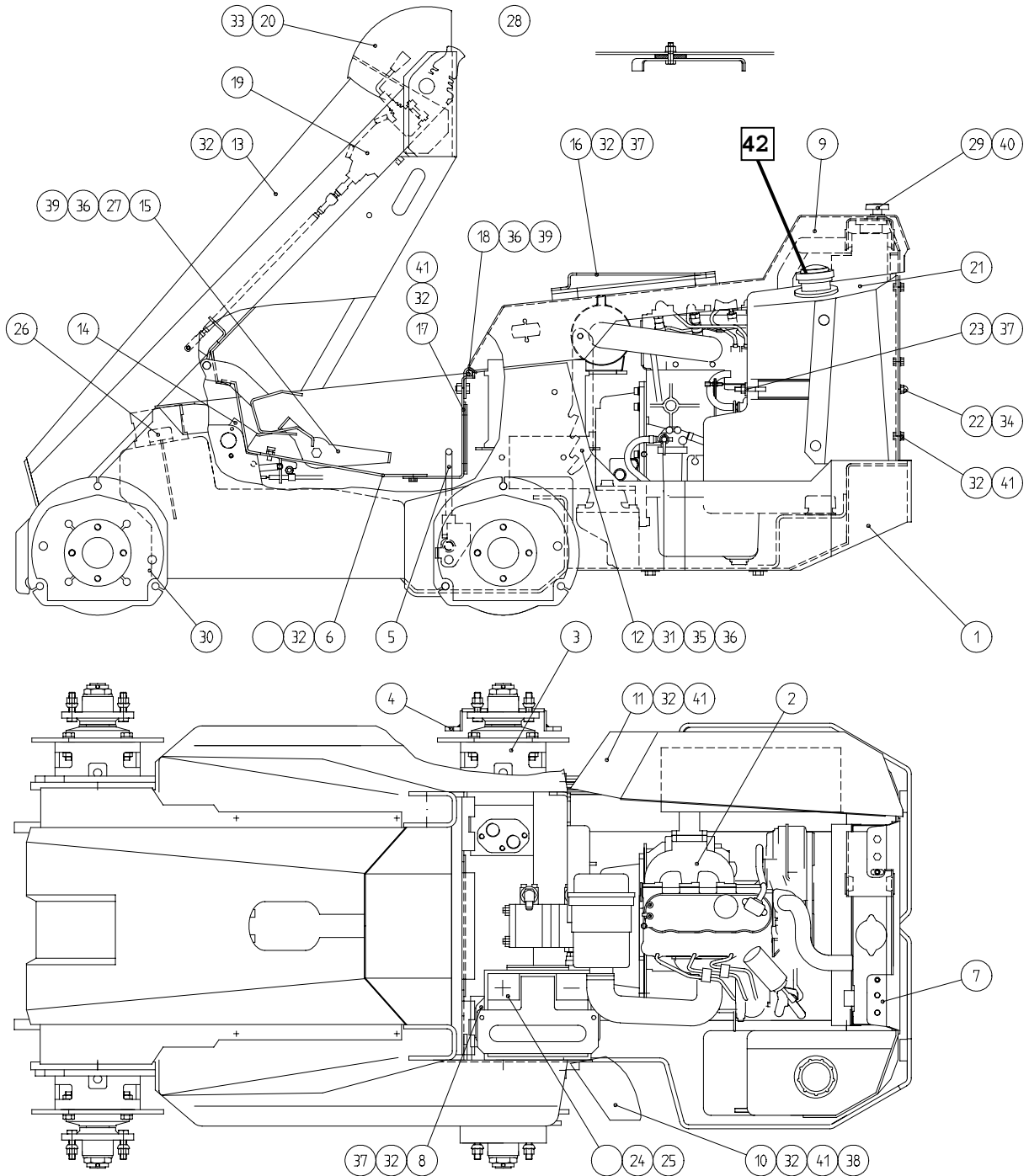
A21054



1	A21055	1	FRAME, ASSEMBLY
2	64106	1	SEAT, STD. PRAMA ART.205SC
	64121	1	SEAT, WITH SUSPENSION COBO SC40
3	64120	4	WHEEL, TRACTOR PROFILE 23*8.50-12
4	A2487	1	STD. BOOM, ASSEMBLY
5	73039	4	HEXAGONAL SCREW M 8*16 DIN 933 ZN
6	73354	4	WASHER M 8 9 DIN 126 ZN

FRAME, ASSEMBLY, 320S / 320S+

A21055

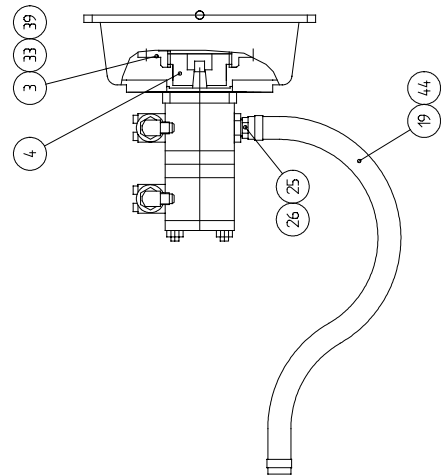
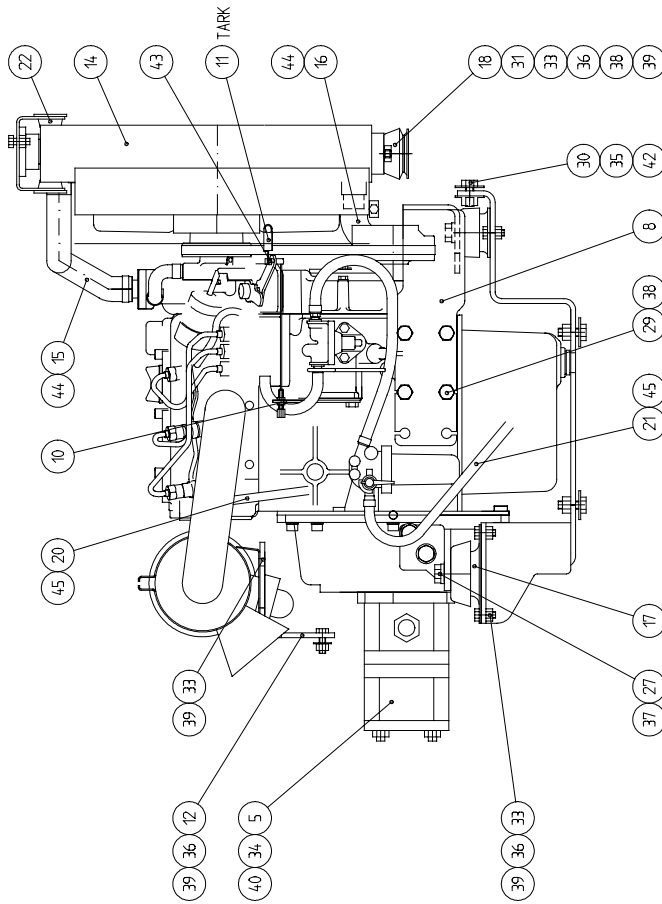
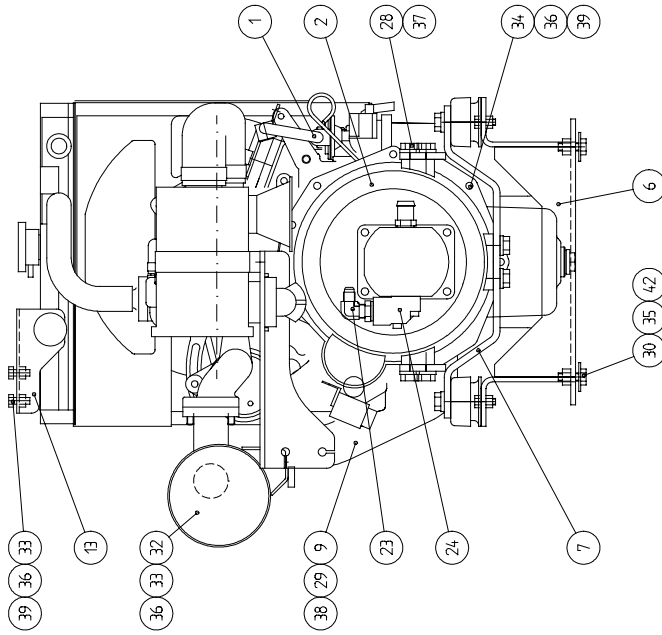


FRAME, ASSEMBLY, 320S / 320S+ A21055

1	A21056	1	FRAME, ASSEMBLY 320
2	A2712	1	ENGINE, ASSEMBLY
3	A43974	4	HYDRAULIC MOTOR, ASSEMBL. OMSW / 320S
	A45166	4	HYDRAULIC MOTOR, ASSEMBL. OMT / 320S+
4	A43897	2	DRUM, PARKING BRAKE
5	A32776	1	PARKING BRAKE, ASSEMBLY
6	A44116	1	BOTTOM PLATE, FRONT
7	A43435	1	SUPPORT FRAME
8	A45464	1	BATTERY HOLDING PLATE
9	A45475	1	COVER PLATE, CENTER
10	A45472	1	COVER PLATE, LEFT
11	A45473	1	COVER PLATE, RIGHT
12	A45474	1	HOLDER, ENGINE COVER PLATE
13	A31564	1	COVER PLATE, ENGINE
14	A42530	1	THROTTLE PEDAL, ASSEMBLY
15	A43532	1	THROTTLE PEDAL HOLDER
16	A45469	1	SUPPORT PLATE, SEAT
17	A45471	1	BOTTOM PLATE, REAR
18	A41952	2	HINGE LOOP, ASSEMBLY
19	A2762	1	HYDRAULIC SYSTEM, ASSEMBLY
20	A31542	1	FINGER PROTECTING COVER
21	A44480	1	FUEL TANK 18 l, ASSEMBLY
22	A43432	1	SCREW ROD
23	A43431	1	SUPPORT
24	64199	1	BATTERY 12V 48AH
25	A43149	1	BATTERY SUPPORT CLAMP
26	A3958	1	DIPSTICK-BREATHER R 1 1/4"
27	A43541	1	RUBBER WASHER F60 S=10
28	A1247	1	WIRE HARNESS 40 A KUBOTA
29	64355	2	FINGER SCREW STAR SR 4522 M8 17S
30	64352	1	HEXAGONAL DRAIN PLUG R 1/2" MAGNETIC
31	72151	1	HEXAGONAL SCREW M10* 30 DIN 933 ZN
32	73039		HEXAGONAL SCREW M 8* 16 DIN 933 ZN
33	72116	4	HEXAGONAL SCREW M 6* 12 DIN 933 ZN
34	74450	1	BOX NUT M 8 DIN 1587 ZN
35	72321	1	HEXAGONAL NUT M10 DIN 934 ZN
36	72322	4	HEXAGONAL NUT M10 DIN 985 ZNNYLOC
37	72320		HEXAGONAL NUT M 8 DIN 985 ZNNYLOC
38	72317	2	HEXAGONAL NUT M 6 DIN 934 ZN
39	74423	1	WASHER M10 11 DIN 126
40	71685	2	WASHER M 8 R9 DIN 440 ZN KORI
41	73354		WASHER M 8 9 DIN 126 ZN
42	A44481	1	FUEL GAUGE L=445

ENGINE ASSEMBLY 320S, 320S+

A2712

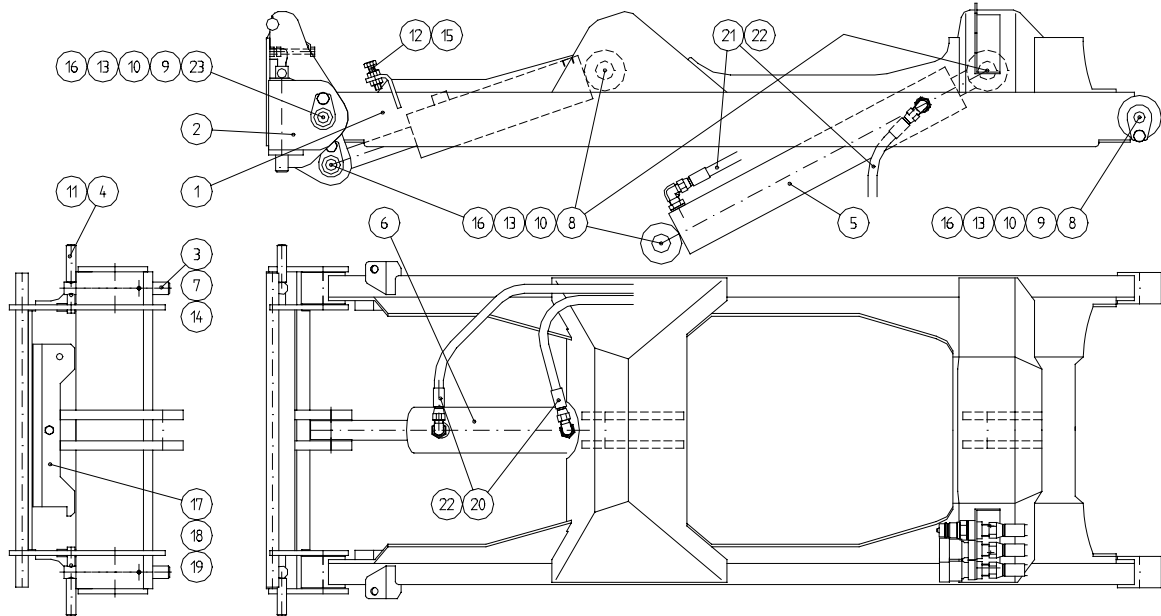


ENGINE ASSEMBLY 320S, 320S+

A2712

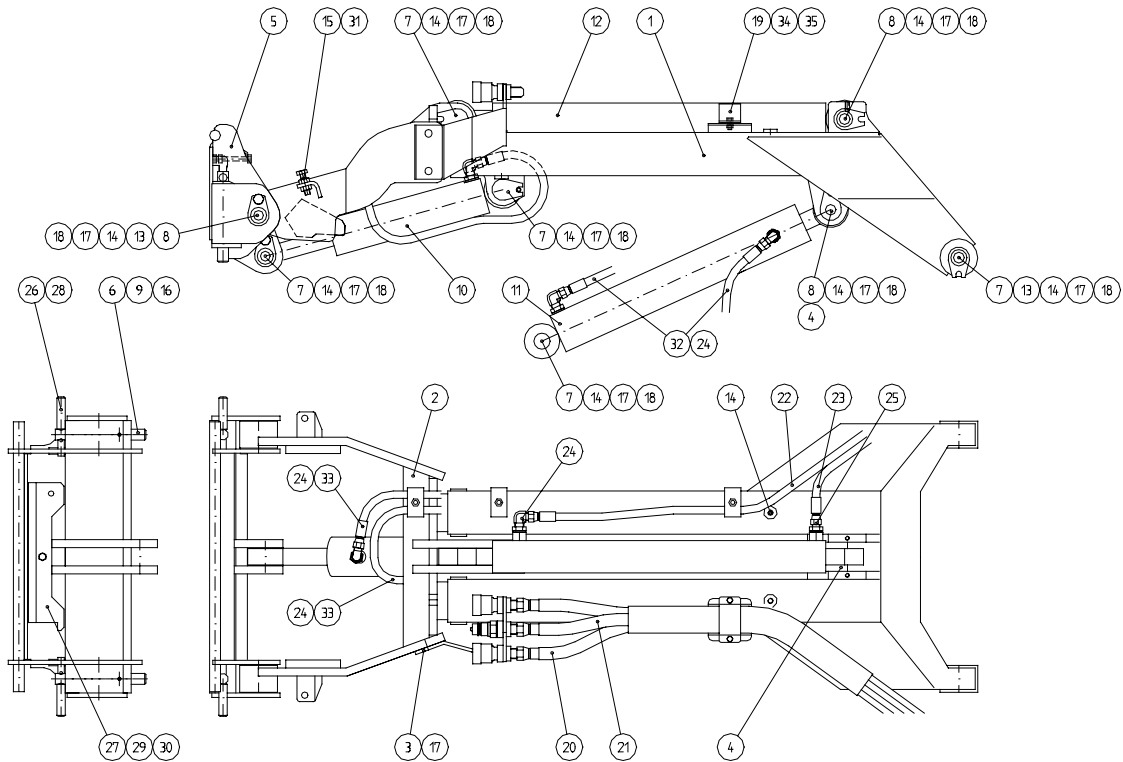
1	64409	1	ENGINE KUBOTA D722 20HP 12V40A
2	64374	1	FLYWHEEL HOUSING KUBOTA RECT.F80
3	64376	1	COUPLING BOWEX 48FLE-PA-F150 ENGINE S.
4	64378	1	COUPLING BOWEX 48FLE 1:5 PUMP SIDE
5	64410	1	HYDRAULIC PUMP CASAPPA PLP20.6,3 / 6,3
6	A43524	1	ENGINE CRADLE D722
7	A43522	1	ENGINE MOUNTING PLATE, REAR
8	A43523	1	ENGINE MOUNTING PLATE, FRONT
9	A44790	1	SUPPORT, EXHAUST PIPE
10	A42156	1	EAR, THROTTLE WIRE
11	A43527	1	RETRACTRING SPRING, FOOT THROTTLE L=40
12	A43147	1	HOLDER, AIR CLEANER
13	A43211	1	EAR, UPPER, RADIATOR
14	A43546	1	RADIATOR, COMBI, WATER-OIL 392*403
15	A43152	1	WATER HOSE, UPPER
16	A43331	1	WATER HOSE, LOWER
17	63656	3	ENGINE MOUNT 17-1600-1M65
18	64291	2	ENGINE MOUNT TREEFFE TFMC
19	A44720	1	INLET HOSE D=20 L=500
20	A43031	1	FUEL HOSE , L= 400
21	A43032	1	FUEL HOSE , RETURN L= 400
22			
23	64044	2	ELBOW FITTING 90° C40XS10-3/8
24	73747	2	PRESSURE FLANGE 1 GQ 38 (R3/8" AL)
25	64110	1	HOSE COUPLING R1/2"UK - 19 MM L=44
26	64172	1	REDUCER FITTING RI 3/4"-EDX 1/2"
27	73042	3	HEXAGONAL SCREW M12* 35 DIN 933 ZN
28	72165	6	HEXAGONAL SCREW M12* 20 DIN 933 ZN
29	73936	8	HEXAGONAL SCREW M10*1,25 -25 DIN 961
30	72150	6	HEXAGONAL SCREW M10* 25 DIN 933 ZN
31	72147	2	HEXAGONAL SCREW M10* 16 DIN 933 ZN
32	A44768	1	EXHAUST MUFFLER KUBOTA D722
33	72130	17	HEXAGONAL SCREW M 8* 20 DIN 933 ZN
34	73100	10	HEXAGONAL HEAD SCREW M8* 30 DIN 912
35	72322	6	HEXAGONAL NUT M10 DIN 985
36	72320	18	HEXAGONAL NUT M 8 DIN 985
37	73613	6	WASHER M12 A12 DIN 127 ZN JOUSI
38	73612	8	WASHER M10 A10 DIN 127 ZN JOUSI
39	73962	25	WASHER M 8 A8 DIN 127 ZN JOUSI
40	71683	4	WASHER M 8 A8,4 DIN 6798 ZN *
41	71685	2	WASHER M 8 R9 DIN 440 ZN KORI
42	73018	6	WASHER M10 R11 DIN 440 ZN KORI
43	74415	1	SCREW NIPPLE 128.244 S&N
44	73530	5	HOSE CLAMP ABA 22-32 MM ZN
45	74405	4	HOSE CLAMP MINI ABA 13MM

LOADER BOOM, STD. A32328



1	A31636	1	LOADER BOOM, ASSEMBLY
2	A31831	1	ATTACHMENT COUPLING PLATE
3	A43935	2	LOCKING PIN F20
4	A43936	2	LATCH PIN
5	A43673	1	HYDRAULIC CYLINDER F63/F32-360 LMIN=590
6	A43672	1	HYDRAULIC CYLINDER F63/F32-150 LMIN=380
7	64138	2	COMPRESSION SPRING 2,5*25*135
8	A43565	6	PIVOT PIN L=80
9	64048	4	SLIDE BEARING GSM-3034-40 IGLIDUR
10	72798	8	GREASE NIPPLE R 1/8" STRAIGHT
11	73661	2	SPRING COTTER 5* 30 DIN 1481
12	73488	2	HEXAGONAL SCREW M10* 60 DIN 933 ZN
13	72147	8	HEXAGONAL SCREW M10* 16 DIN 933 ZN
14	71880	2	HEXAGONAL HEAD SCREW M 6* 25 DIN 912
15	72321	4	HEXAGONAL NUT M10 DIN 934 ZN
16	74531	8	WASHER, PAIR M10 NL10 NORDLOCK
17	A43948	1	SERVICE SUPPORT, LIFT CYLINDER
18	74520	1	HEXAGONAL SCREW M 8* 70 DIN 933 ZN
19	72319	1	HEXAGONAL NUT M 8 DIN 934 ZN
20	A42909	2	HYDRAULIC HOSE L=2100 R1AT-04
21	A42908	2	HYDRAULIC HOSE L=980 R1AT-04
22	64044	4	ELBOW FITTING 90° C40XS10-3/8
23	A44227	2	PIVOT PIN L=94

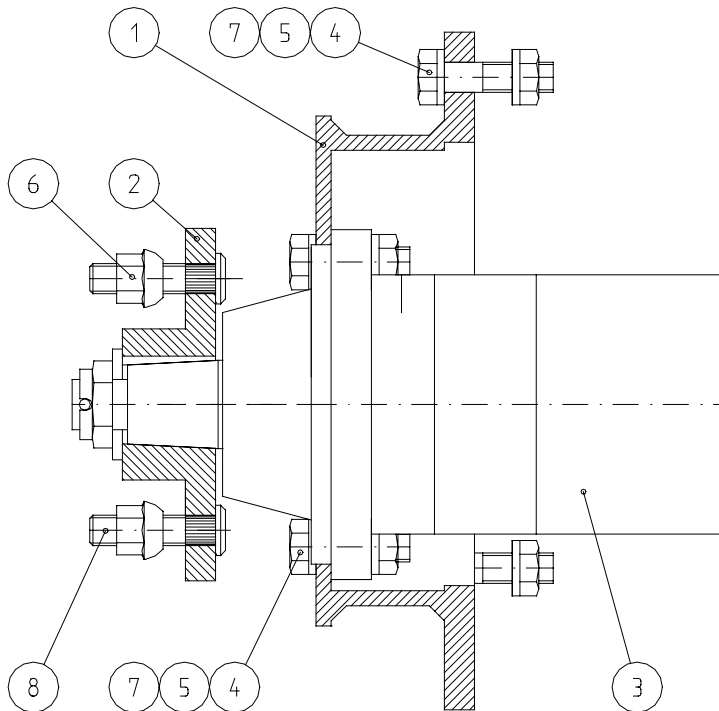
TELESCOPIC BOOM, ASSEMBLY A21053



1	A31448	1	OUTER BOOM
2	A31449	1	INNER BOOM
3	A42671	1	EAR
4	A43083	4	DISTANCE RING
5	A31831	1	ATTACHMENT COUPLING PLATE
6	A43935	2	LOCKING PIN F20
7	A43565	6	PIVOT PIN L=80
8	A44227	4	PIVOT PIN L=94
9	64138	2	COMPRESSION SPRING 2,5*25*135
10	A43672	1	HYDR.CYLINDER F63/F32-150 LMIN=380 F30
11	A43673	1	HYDR.CYLINDER F63/F32-360 LMIN=590 F30
12	A43086	1	HYDR.CYLINDER F50/F32-500 LMIN=720 F30
13	64048	4	SLIDE BEARING GSM-3034-40 IGLIDUR
14	72798	14	GREASE NIPPLE DIN 71412 R1/8" STRAIGHT
15	73488	2	HEXAGONAL SCREW M10* 60 DIN 933 ZN
16	71880	2	HEXAGONAL HEAD SCREW M 6* 25 DIN 912
17	72147	12	HEXAGONAL SCREW M10* 16 DIN 933 ZN
18	74531	10	WASHER, PAIR M10 NL10 NORDLOCK
19	A45344	1	RIVET
20	A45442	2	HYDRAULIC HOSE L=3450 2LW-08
21	A45443	1	HYDRAULIC HOSE L=2800 1LW-08
22	A42928	1	HYDRAULIC HOSE L=1450 R1AT-04
23	A42929	1	HYDRAULIC HOSE L=900 R1AT-04
24	64044	5	ELBOW FITTING 90° C40XS10-3/8
25	64041	1	BASIC FITTING F40XS10-3/8

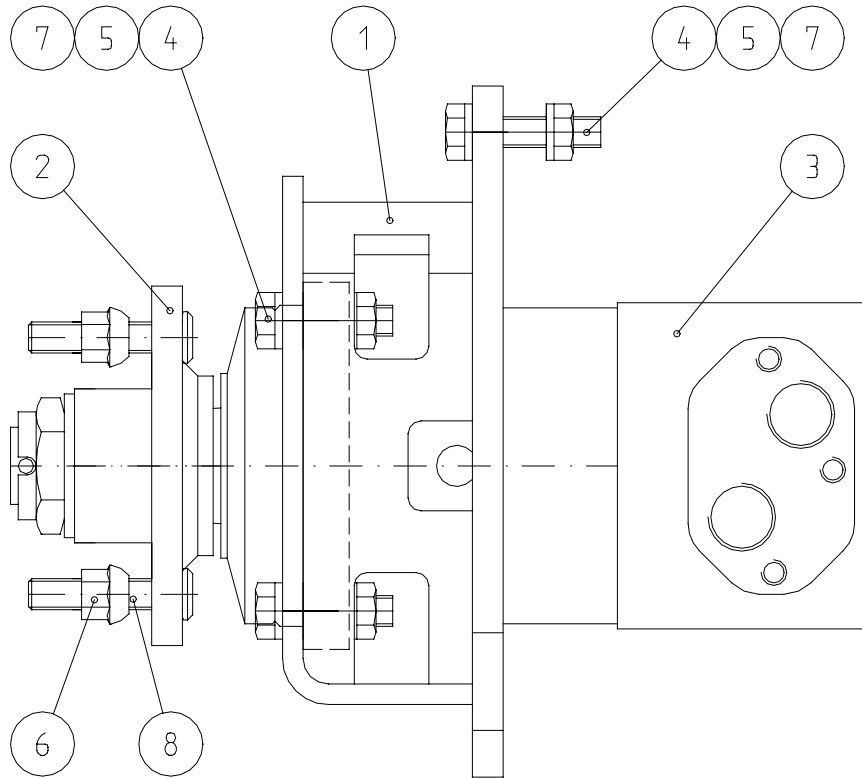
26	A43936	2	LATCH PIN
27	A43948	1	SERVICE SUPPORT, BOOM CYLINDER
28	73661	2	SPRING COTTER 5* 30 DIN 1481
29	74520	1	HEXAGONAL SCREW M 8* 70 DIN 933 ZN
30	72319	1	HEXAGONAL NUT M 8 DIN 934 ZN
31	72321	4	HEXAGONAL NUT M10 DIN 934 ZN
32	A42908	2	HYDRAULIC HOSE L=980 R1AT-04
33	A42925	2	HYDRAULIC HOSE L=2950 R1AT-04
34	72117	2	HEXAGONAL SCREW M 6* 16 DIN 933 ZN
35	72318	2	HEXAGONAL NUT M 6 DIN 985 NYLOC
36	73760	3	PIPE CLAMP RSB DS 214/14 D

HYDRAULIC MOTOR, ASSEMBLY, OMSW315 A43974 / AVANT 320S



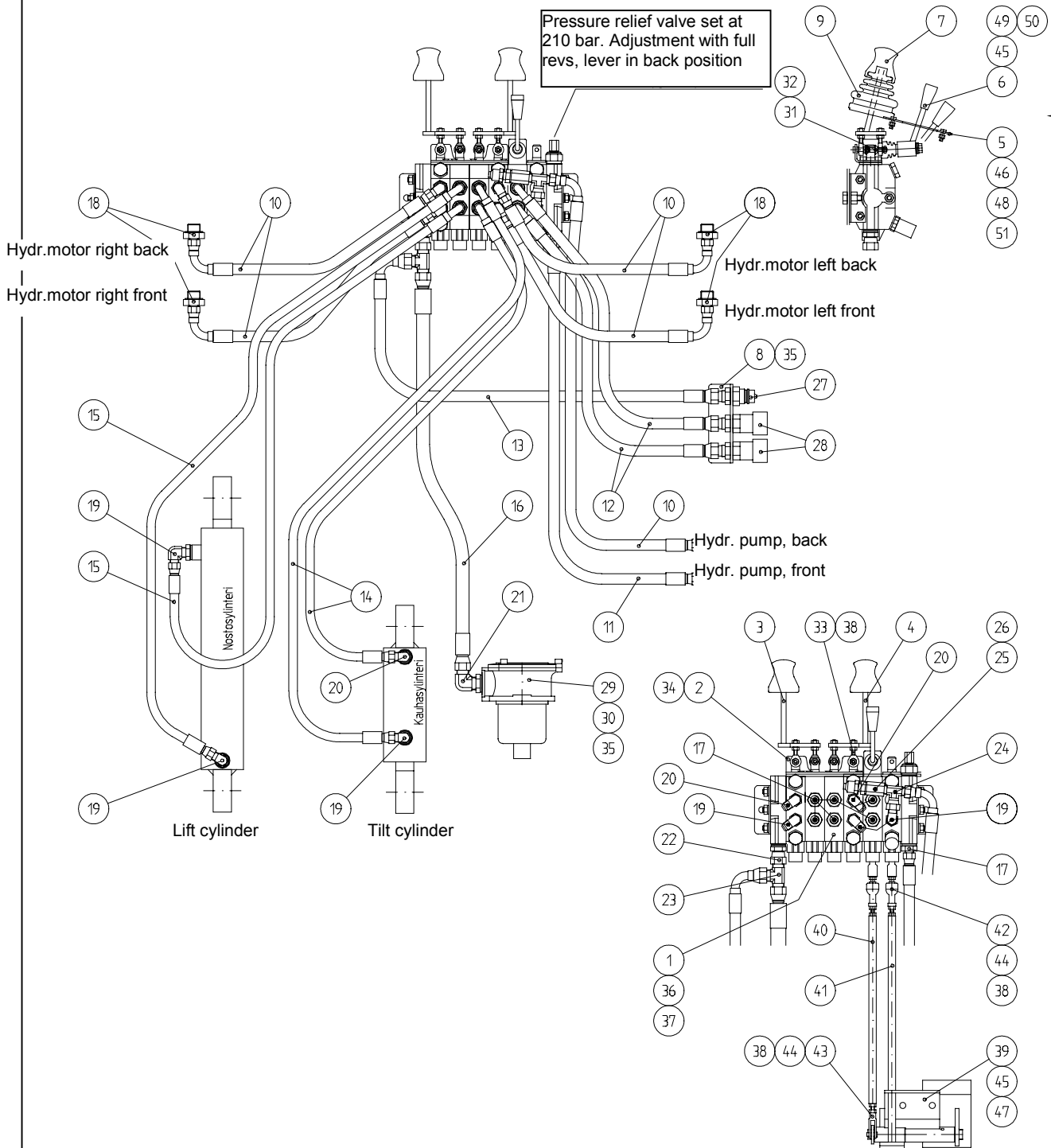
1	A43971	1	MOUNTING FLANGE, ASSEMBLY, OMS
2	A43973	1	WHEEL HUB, ASSEMBLY, OMS
3	64651	1	HYDRAULIC MOTOR OMSW 315 151F0234
4	73322	7	HEXAGONAL SCREW M12* 40 DIN 931 ZN
5	72324	7	HEXAGONAL NUT M12 DIN 985 NYLOC
6	73743	4	WHEEL NUT M12*1,5DIN74361
7	73613	7	WASHER M12 A12 DIN 127 ZN SPRING
8	74691	4	WHEEL BOLT M12*1.5*60 9999021077

HYDRAULIC MOTOR, ASSEMBLY, OMT A45166 / AVANT 320S+



1	A45131	1	MOUNTING FLANGE, ASSEMBLY, OMT
2	A45134	1	WHEEL HUB, ASSEMBLY, OMT
3	64617	1	HYDRAULIC MOTOR OMT 315
4	72220	7	HEXAGONAL SCREW M12* 50 DIN 933 ZN
5	72324	7	HEXAGONAL NUT M12 DIN 985 ZNNYLOC
6	73743	4	WHEEL NUT M12*1,5DIN74361
7	73613	4	WASHER M12 A12 DIN 127 ZN SPRING
8	74691	4	WHEEL BOLT M12*1.5*60 9999021077

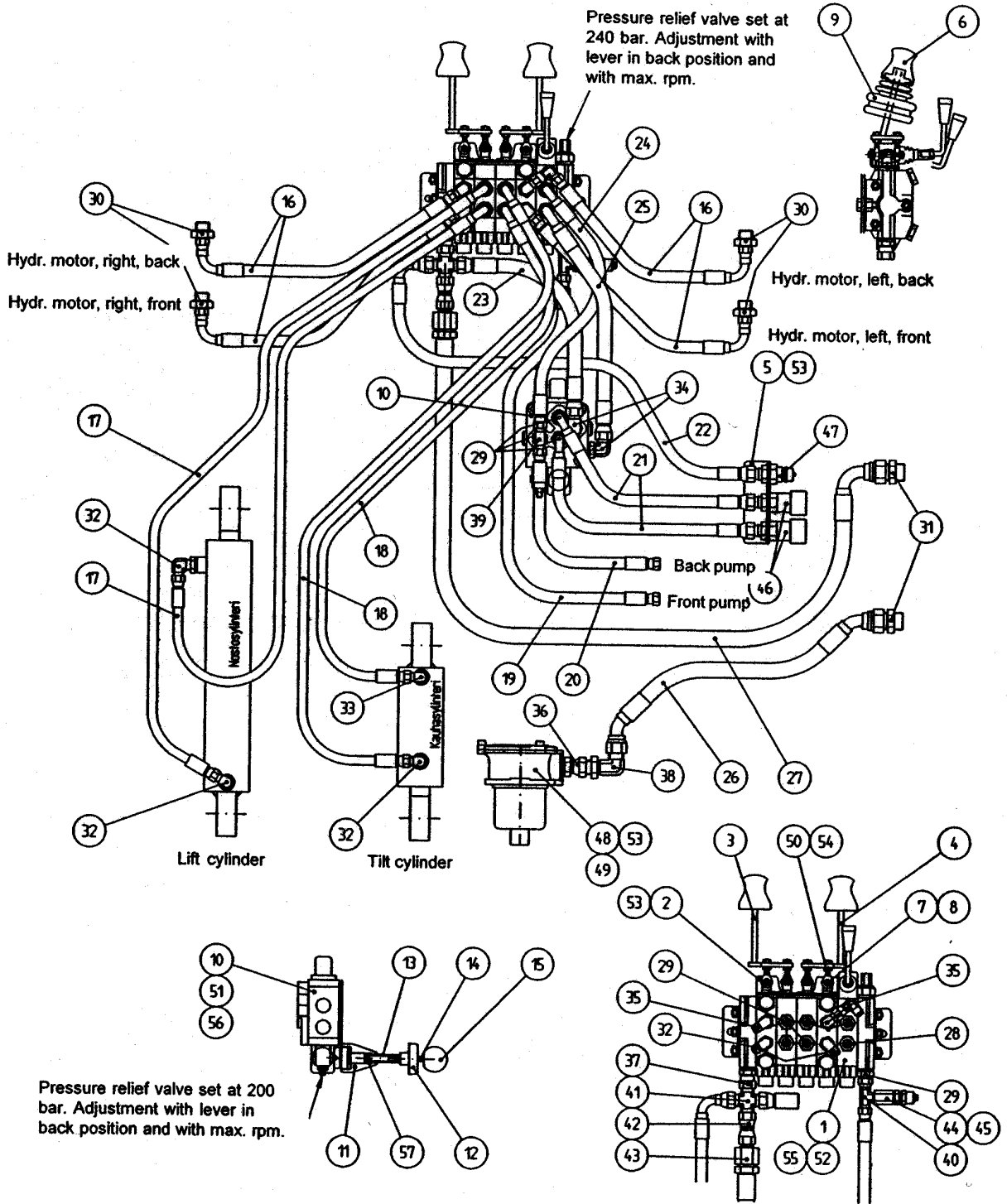
HYDRAULIC SYSTEM, ASSEMBLY, A2762 / 320S



HYDRAULIC SYSTEM, ASSEMBLY, A2762 / 320S

1	64478	1	CONTROL VALVE HI HDS10/6
2	A3951	1	CONTROL LEVER FRAME
3	A3953	1	CONTROL LEVER, RIGHT
4	A3952	1	CONTROL LEVER, LEFT
5	A44114	1	GROOVE
6	A44115	1	ARTICULATION BUSHING
7	A43484	2	KNOB
8	A41666	1	QUICK COUPLER SUPPORT, FOR 3 COUPLERS
9	64347	2	RUBBER COVER 1051408 F10/F65-75
10	A41645	5	HYDRAULIC HOSE L=1500 2LW-06 3/8"
11	A41653	1	HYDRAULIC HOSE L=1430 2LW-06 3/8"
12	A41654	2	HYDRAULIC HOSE L=1800 2LW-06 3/8"
13	A41953	1	HYDRAULIC HOSE L=1950 2LW-06 3/8"
14	A41657	2	HYDRAULIC HOSE L=3100 1LW-04 1/4"
15	A41656	2	HYDRAULIC HOSE L=720 1LW-04 1/4"
16	A41655	1	HYDRAULIC HOSE L=600 1LW-08 1/2"
17	64041	7	BASIC FITTING F40XS10-3/8
18	64040	4	BASIC FITTING F40XS10-1/2
19	64044	6	ELBOW FITTING 90° C40XS10-3/8
20	64111	3	ELBOW FITTING 90° COA-10-3/8"
21	64045	1	ELBOW FITTING 90° C40XS12-1/2
22	64082	1	CONNECTOR NIPPLE F64XS12-3/8
23	64200	1	T FITTING JTXS12
24	64070	1	THREADED T FITTING BODY S6XS10
25	64195	1	TEST FITTING TT4XS10-1/4"
26	64196	1	MANOMETER FITTING M16*2
27	64189	1	QUICK COUPLER, MALE 1/2" 4V14-T5X4
28	64190	2	QUICK COUPLER, FEMALE 1/2" 2V54-T5X4
29	73750	1	HYDRAULIC OIL FILTER, COMPL. OMTF65-20
30	74093	1	FILTER ELEMENT MP MF100 1 P10 NB
31	A41821	4	CONTROL LEVER PIN
32	A41822	8	LEVER NUT M 6
33	63690	6	ARTICULATION BEARING ASAHI JAM 6
34	74472	4	HEXAGONAL HEAD SCREW M 5* 16 DIN 912
35	71884	4	HEXAGONAL HEAD SCREW M 8* 25 DIN 912
36	72150	2	HEXAGONAL SCREW M10* 25 DIN 933 ZN
37	72322	2	HEXAGONAL NUT M10 DIN 985 ZNNYLOC
38	72317	14	HEXAGONAL NUT M 6 DIN 934 ZN
39	A44111	1	PEDAL, ASSEMBLY
40	A44113	1	CONNECTOR ROD F12*310
41	A44112	1	PUSHER ROD F12*373
43	64467	1	CLEVIS MORSE C 0702 M6 F6-10
44	A44118	3	SCREW ROD M6*45
45	72132	3	HEXAGONAL SCREW M 8* 25 DIN 933 ZN
46	72110	2	HEXAGONAL SCREW M 5* 16 DIN 933 ZN
47	72320	2	HEXAGONAL NUT M 8 DIN 985 ZNNYLOC
48	72315	2	HEXAGONAL NUT M5 DIN 985 ZNNYLOC
49	73122	1	WASHER M 8 A8,4 DIN 125 ZN
50	73962	1	WASHER M 8 A8 DIN 127 ZN SPRING

HYDRAULIC SYSTEM, ASSEMBLY, 320S+ A2749



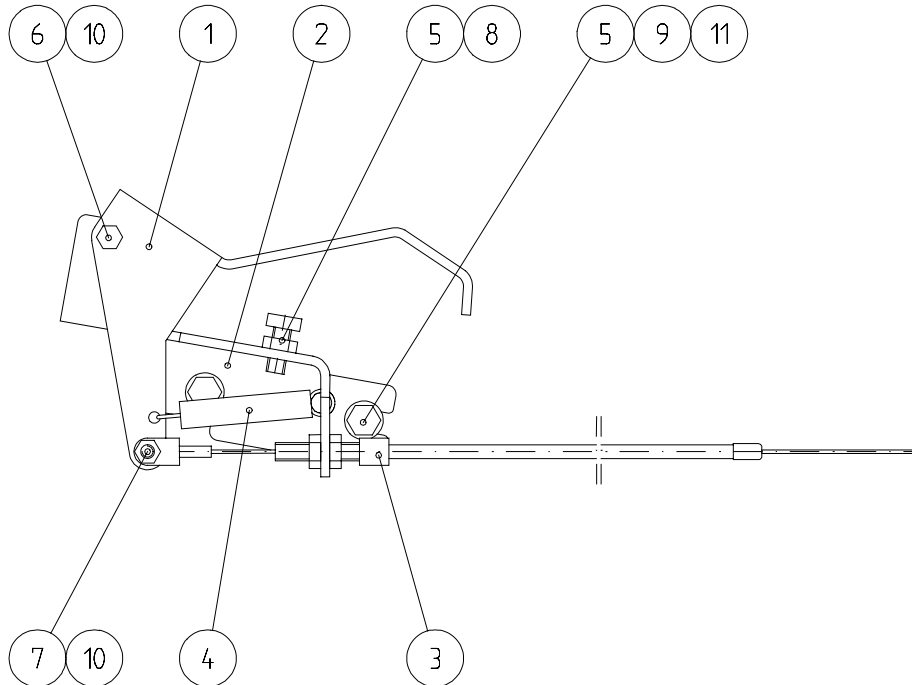
HYDRAULIC SYSTEM, ASSEMBLY, 320S+ A2749

1	64361	1	CONTROL VALVE HI HDS10/5
2	A3951	1	CONTROL LEVER FRAME
3	A3953	1	CONTROL LEVER, RIGHT
4	A3952	1	CONTROL LEVER, LEFT
5	A41666	1	QUICK COUPLER SUPPORT FOR 3 COUPLERS
6	A43484	2	KNOB
7	A41821	4	CONTROL LEVER PIN
8	A41822	8	LEVER NUT M 6
9	74327	2	RUBBER COVER F12/56*40 32053
10	64063	1	DIR. VALVE CASAPPA VCD20/1(200)/19/AE
11	A43561	1	LOCKING BUSHING, AUX. HYDR. LEVER
12	64188	1	FINGER SCREW R5026M8S (NUT)
13	64289	1	COMPRESSION SPRING SF-TF 2*9*40
14	A43562	1	CONTROL LEVER, AUX. HYDRAUL. F8-122
15	72624	1	BALL KNOB M8 C 40 BAKELITE
16	A41645	4	HYDRAULIC HOSE L=1400
17	A41656	2	HYDRAULIC HOSE L=720
18	A41657	2	HYDRAULIC HOSE L=3100
19	A41653	1	HYDRAULIC HOSE L=1430
20	A41891	1	HYDRAULIC HOSE L=1150
21	A41890	2	HYDRAULIC HOSE L=1400
22	A41953	1	HYDRAULIC HOSE L=1950
23	A41951	1	HYDRAULIC HOSE L=370
24	A41831	1	HYDRAULIC HOSE L=400
25	A41830	1	HYDRAULIC HOSE L=400
26	A42389	1	HYDRAULIC HOSE L=1420
27	A42390	1	HYDRAULIC HOSE L=2200
28	64042	1	BASIC FITTING F40XS12-3/8
29	64041	12	BASIC FITTING F40XS10-3/8
30	64040	4	BASIC FITTING F40XS10-1/2
31	64099	2	BASIC FITTING F40XS18-3/4
32	64044	6	ELBOW FITTING 90° C40XS10-3/8
33	64111	1	ELBOW FITTING 90° COA-10-3/8
34	64068	2	ELBOW FITTING 90° C40XS12-3/8
35	64043	3	ELBOW FITTING 90° C6XS10
36	64154	1	CONNECTOR NIPPLE F64XS16-1/2"
37	64082	1	CONNECTOR NIPPLE F64XS12-3/8
38	64155	1	LEAD-THROUGH ELBOW FIT. WETX-WLNS 16
39	64070	1	THREADED T FITTING BODY S6XS10
40	64078	1	L FITTING BODY R6XS10
41	64083	1	CROSS FITTING KTXS12
42	64159	1	NIPPLE O 1829
43	64101	1	REDUCER FITTING TRTXS18-12
44	64195	1	TEST FITTING TT4XS10-1/4"
45	64196	1	MANOMETER FITTING M16*2 <=> R1/4"ULKOK
46	64190	2	QUICK COUPLER, FEMALE 1/2" 2V54-T5X4
47	64189	1	QUICK COUPLER, MALE 1/2" 4V14-T5X4
48	73750	1	HYDRAULIC OIL FILTER, COMPL. OMTF65-20
49	74093	1	FILTER ELEMENT MP MF100 1 P10 NB

50	63690	6	ARTICULATION BEARING ASAHI JAM 6
51	72139	3	HEXAGONAL SCREW M8*60 DIN 931 ZN
52	72150	2	HEXAGONAL SCREW M10*25 DIN 933 ZN
53	71884	4	HEXAGONAL HEAD SCREW M8*25 DIN 912
54	73766	4	HEXAGONAL HEAD SCREW M6*16 DIN 912
55	72322	2	HEXAGONAL NUT M10 DIN 985
56	72320	3	HEXAGONAL NUT M8 DIN 985
57	72319	1	HEXAGONAL NUT M8 DIN 934

FOOT THROTTLE

A42530



1	A42528	1	THROTTLE PEDAL
2	A42529	1	THROTTLE PEDAL FRAME
3	A45997	1	THROTTLE WIRE L=1050/1450 1.5mm
4	64257	1	SPRING SF-DF 1,2*12*60 (N=33) F0=7N
5	72130	3	HEXAGONAL SCREW M 8* 20 DIN 933 ZN
6	72127	1	HEXAGONAL SCREW M 6* 90 DIN 931 ZN
7	72118	1	HEXAGONAL SCREW M 6* 20 DIN 933 ZN
8	72319	1	HEXAGONAL NUT M 8 DIN 934 ZN
9	72320	2	HEXAGONAL NUT M 8 DIN 985 ZNNYLOC
10	72318	2	HEXAGONAL NUT M 6 DIN 985 ZNNYLOC
11	73355	2	WASHER M 6 6,6 DIN 126 ZN